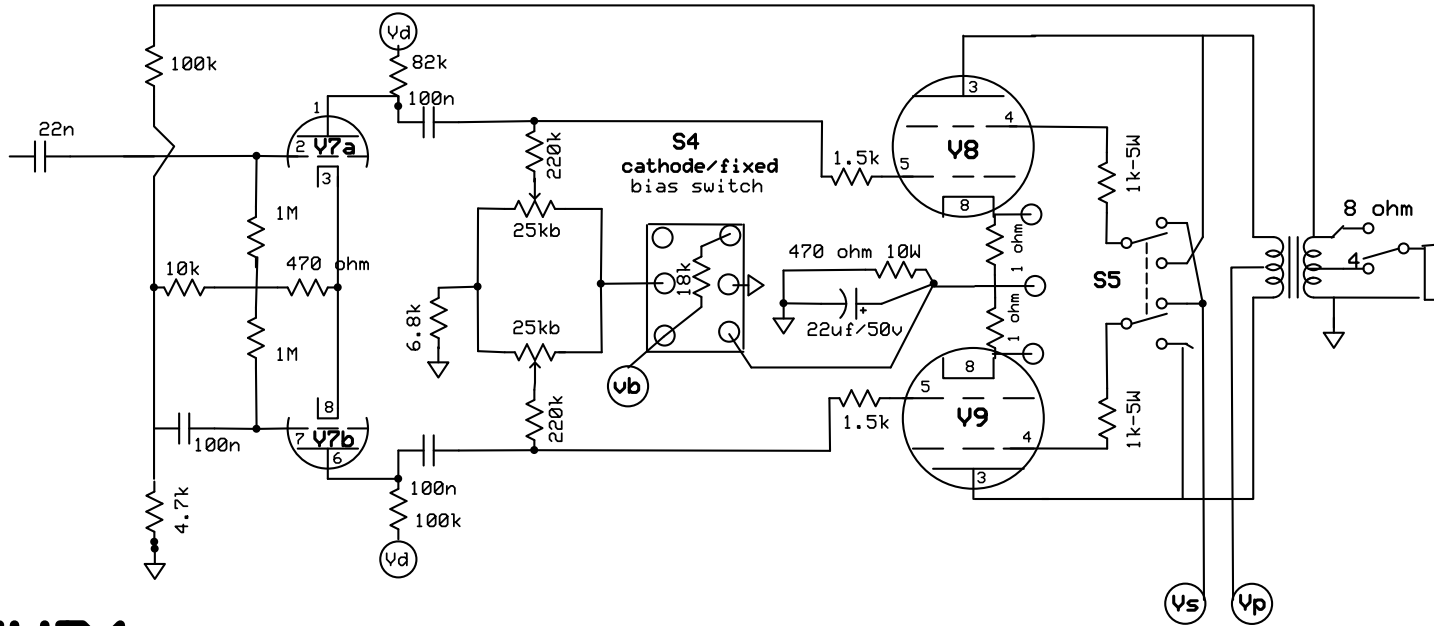


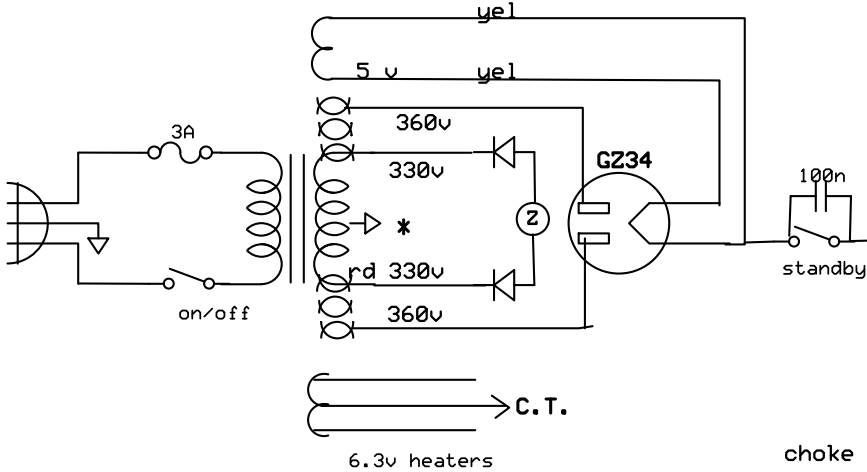
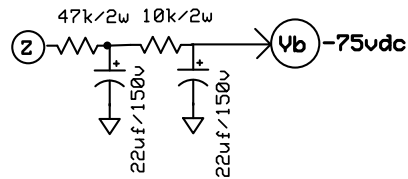
*18k keeps Vb @ -75v when cathode bias is selected



S5 = pentode/triode
 S6 = 4 or 8 ohm
 V7=12AX7
 V8 & V9= 5881
 (can support 6L6, EL34, 6V6, 6550)

FYD1

Power Amp and Supply
 Designed by Dan Lure
 www.loosechange.freesevers.com
 January 2007



choke = W022921
 PT= W022798

* To chassis ground (with lift)

